



PRODUCT REFERENCE & RETAIL PRICE GUIDE

Aluminum
PREMIER COLLECTION

CUSTOM MADE BLINDS



BEST FOR KIDS CERTIFIED™
LIFT & LOCK™ CORDLESS OPTION

February 2017

Prices subject to change without notice.



TABLE OF CONTENTS

Premier Collection Features & Benefits	3
Terms Of Sale & Freight / Repair Charges	4
Color Chart	5
Deluxe	6-7
Traditional	8-9
Basic	10-11
Value	12-13
Macro 2"	14-15
Measuring	16
Child Safety, Care & Warranty	17
Order Form	18

FEATURES & BENEFITS

1" DELUXE

- Lift & Lock™ cordless available for cord free, push button lift.
**available for standard rout only*
- Spring-tempered 8 gauge slats - available in a full selection of decorative colors and styles.
- Heavy-duty headrail with integrated valance - adds contemporary appeal.
- Privacy option - blocks unwanted light and increases privacy.
- Crash-proof cordlock and cast metal slip-clutch tilter provide smooth, reliable operation.

1" TRADITIONAL

- Lift & Lock™ cordless available for cord free, push button lift.
- Spring-tempered 6 gauge slats - offered in best selling styles and colors.
- Selection of 8 gauge slat colors also available as an upgrade.
- Heavy-duty standard headrail with crash-proof cordlock and cast metal slip-clutch tilter ensures smooth, reliable operation.
- Two-slat valance clips or two-slat channel valance.

1" BASIC

- Lift & Lock™ cordless available for cord free, push button lift.
- Spring-tempered 6 gauge slats - offered in a popular variety of colors.
- Heavy-duty standard headrail with crash-proof cordlock and cast metal slip-clutch tilter ensures a smooth, reliable operation.
- Two-slat valance clips standard.

1" VALUE

- Lift & Lock™ cordless available for cord free, push button lift.
- Spring-tempered 6 gauge slats - offered in 6 top-selling colors.
- Heavy-duty standard headrail with crash-proof cordlock and cast metal slip-clutch tilter ensures a smooth, reliable operation.
- Two-slat valance clips standard.

2" MACRO

- Lift & Lock™ cordless available for cord free, push button lift.
**available for standard rout only*
- Selection of 8 gauge slat colors.
- Heavy-duty low profile standard headrail with crash-proof cordlock and cast metal slip-clutch tilter ensures a smooth, reliable operation.
- Slat valance and clips or channel valance.

ALL STYLES FEATURE

- Spring-tempered slats - resists kinks and dents.
- Dust resistant finish repels dust and makes cleaning easier.
- Lock seam bottomrail provides added durability and resists bowing.
- Cordstop and single pull helps protect children and pets.

TERMS OF SALE & FREIGHT / REPAIR CHARGES

PRICE QUOTATION

All Premier Aluminum Blind Collection products are priced FOB San Diego, CA and do not include freight.

All prices subject to change without notice.

To ensure order accuracy, please use the Aluminum Premier Collection order form. The blank order form can be found at the back of the price book. Make copies to create additional blank order forms.

EMAIL ORDERS

Dealers are able to download our order form from www.turnils.com, complete the order form, and submit it to: atl.orders@turnils.com.

CANCELLATION OR CHANGE ORDER

IMPORTANT! Due to the custom nature of our products, we cannot accept changes or cancellations after orders have been put into production.

LEAD TIME

Typically, orders (less than 15 units) are manufactured and shipped within 5 business days. All orders are subject to inventory availability. Orders placed after 3:30 p.m. EST are considered as next day business.

CONTRACT QUOTATION REQUIREMENTS

Minimum items per line for contract pricing: 15. All custom blind quotes are valid for 90 days only. Expired quotes are subject to 0.5% increase per month.

CONTRACT QUOTE POLICY

Shipping date will be confirmed after receipt of order and is subject to inventory availability, total units, production and scheduling considerations.

Quoted price does not include tax.

Any change, including but not limited to size, color, controls, quantity, ship to location, ship date or number of shipment, may result in a change in price.

A deposit and/or credit approval may be required.

ORDER TRACKING & ORDER STATUS

Order confirmations are sent via email within 24 hours of placing order. Please make sure you have your email on file with Turnils. To track your order or check the status of your order, please contact customer service and provide them with the work order number.

STANDARD SHIPPING & HANDLING, DELIVERY & FREIGHT POLICIES

\$3.50 per piece for 1" mini blinds
 \$3.75 per piece for 2" aluminum blinds
 \$9.50 minimum charge per shipment
 Oversize (94" or above) \$75.00 up to 3 pieces

For express shipment, shipment to Alaska, Hawaii and foreign countries, freight will be quoted separately. Freight collect orders and using a preferred carrier is optional.

Next Day, 2nd Day Air and 3 Day select shipping options are available - actual freight will be applied.

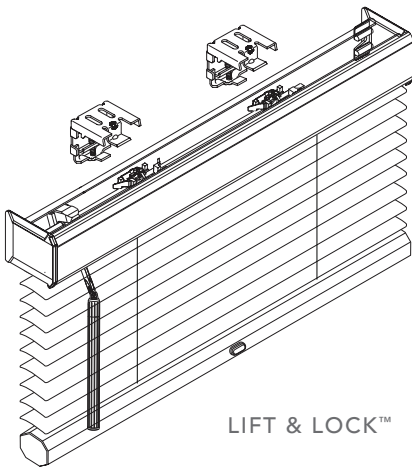
FREIGHT DAMAGE & SHORTAGES

Please inspect all shipments immediately and carefully. Please report damages and shortages on the delivery receipt and notify Turnils customer service within 48 hours. No freight damage claim will be accepted after 30 days from shipping.

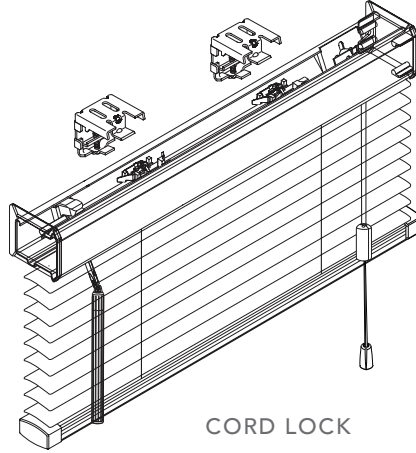
COLOR CHART

COLOR	DELUXE	TRADITIONAL		BASIC	VALUE	MACRO	LIFT & LOCK™
	Valance Integrated	1x1.5		1x1	1x1	2" Low Profile	
	D8	T6	T8	B6	V6	M2	
001 OPAL	•	•	•	•			125
002 ALABASTER	•	•	•	•	•	•	002
018 QUARTZ	•	•	•	•		•	110
048 BLACK	•	•	•	•		•	048
064 CHAR BROWN	•	•	•	•	•	•	064
065 BRUSHED ALUMINUM	•	•	•	•	•		065
110 SNOW GLOSS	•	•	•	•	•	•	110
125 PURE WHITE	•	•	•	•	•	•	125
127 PLASTER	•	•	•	•	•		127
173 EGGSHELL	•			•		•	002
180 CLAY	•	•	•	•			010
186 BEIGE	•	•	•	•		•	002
188 BURGUNDY	•						002
190 BRIGHT ALUMINUM	•	•	•	•		•	065
203 PUMICE	•						002
205 FAWN	•	•	•	•		•	002
254 CHAR BROWN MATTE	•						064
262 BRUSHED NICKEL TEXTURE	•		•				065
268 TUSK	•	•	•	•			127
269 BISQUE	•	•	•	•		•	127
270 LINEN	•			•		•	127
276 MERCURY	•			•			104
280 COBALT BLUE	•						104
315 BISCUIT	•						002
318 COBBLESTONE	•	•	•	•			010
319 COUNTRY BEIGE	•						127
350 VANILLA	•	•	•	•		•	002
361 SOFT TAUPE	•						002
385 EVENING SNOW	•						127
402 PARCHMENT	•						002
405 PEWTER GRAY	•			•			104
413 FOREST	•	•	•	•			002
711 KAOLIN PEARL	•	•	•	•			127
748 GRAYSTONE	•	•	•	•		•	010
795 SEASHELL	•	•	•	•			125
820 SIERRA	•	•	•	•			048
830 CANVAS	•	•	•	•		•	002
885 CHALK WHITE	•	•	•	•		•	125
913 ASH	•						104
914 LIGHT CAFFE	•						104
916 CLASSIC RED	•						002
917 RIVER LOG	•						064
919 SPRIG	•						002
973 ANTIQUE	•	•	•	•		•	002
974 PEARL	•	•	•	•		•	127
981 TALC	•			•			125
983 GRAPHITE	•						048
048P BLACK PERFORATED	•		•				048
065P BRUSHED ALUMINUM PERFORATED	•		•				065
110P SNOW GLOSS PERFORATED	•		•				110
973P ANTIQUE PERFORATED	•		•				002

DELUXE – VALANCE INTEGRATED BLIND



LIFT & LOCK™



CORD LOCK

D8 DELUXE

- LIFT & LOCK™ CORDLESS AVAILABLE
- VALANCE INTEGRATED SYSTEM
- 8 GAUGE 1" SLAT
- PRIVACY OR STANDARD ROUTE
- 18MM LADDER SPACING PRIVACY
- 22MM LADDER SPACING STANDARD
- HIDDEN INSTALLATION BRACKETS
- COLOR MATCHED END CAPS
- LOCK SEAM CLOSED BOTTOMRAIL
- AVAILABLE IN 51 COLORS



CORDLESS SURCHARGE OPTION

Lift & Lock™ Price as standard blind and add \$124

* Available for standard rout only

D8 DELUXE 1 INCH BLIND PRIVACY	
Width	23" 26" 29" 32" 36" 40" 44" 48" 52" 57" 62" 67" 72" 82" 92" 102" 112" 122" 132" 142"
Height To 42"	138.24 142.86 147.48 153.56 159.72 167.82 175.06 181.22 187.40 196.22 212.32 221.84 229.56 262.90 280.28 298.20 320.28 340.00 355.48 372.92
48"	141.60 146.64 151.68 158.18 164.90 173.62 181.42 188.14 194.86 204.38 221.30 231.52 239.92 274.66 293.50 312.82 336.40 357.50 374.38 393.26
54"	145.70 151.12 156.52 163.40 170.60 179.88 188.18 195.40 202.62 212.76 230.48 241.32 250.36 286.32 306.46 327.02 352.04 374.38 392.50 412.68
60"	149.06 154.90 160.72 168.02 175.78 185.68 194.54 202.32 210.08 220.92 239.46 251.00 260.72 298.08 319.68 341.62 368.16 391.90 411.40 433.04
66"	152.10 158.30 164.48 172.14 180.40 190.88 200.24 208.50 216.76 228.20 247.50 259.64 270.00 308.58 331.48 354.66 382.56 407.52 433.48 456.44
72"	156.62 163.24 169.86 177.94 186.74 197.84 207.76 216.56 225.38 237.54 257.72 270.58 281.62 321.58 345.96 370.52 400.02 431.58 453.72 478.12
78"	159.66 166.64 173.62 182.06 191.38 203.04 213.44 222.74 232.06 244.82 265.76 279.22 290.88 332.08 357.76 383.56 418.64 447.22 470.58 496.30
84"	163.02 170.42 177.82 186.68 196.54 208.84 219.80 229.66 239.54 252.98 274.74 288.90 301.24 343.84 370.98 398.16 434.76 464.72 489.48 516.66
90"	170.44 178.22 185.98 195.22 205.58 218.44 229.88 240.24 250.60 264.68 287.26 302.02 315.00 358.82 387.26 419.92 453.72 484.92 510.90 539.40
96"	173.46 181.60 189.74 199.36 210.20 223.62 235.58 246.42 257.28 271.96 295.28 310.68 324.26 369.32 403.30 432.96 468.12 500.56 527.78 557.56
102"	176.84 185.40 193.94 203.98 215.38 229.42 241.92 253.34 264.74 280.14 304.26 320.36 334.62 381.08 416.52 447.56 484.24 518.06 546.68 577.92
108"	179.86 188.78 197.72 208.10 220.00 234.62 247.62 259.52 271.42 287.42 312.30 329.00 343.90 395.82 428.32 460.60 498.64 533.70 563.54 596.08
114"	172.76 182.10 191.44 202.26 214.70 229.94 243.50 255.96 268.42 285.12 310.38 327.76 343.36 396.66 430.62 464.30 503.42 539.86 571.10 605.10
120"	175.78 185.50 195.20 206.38 219.34 235.14 249.18 262.14 275.08 292.40 318.40 336.42 352.62 407.16 442.44 477.34 517.82 555.50 587.96 623.28
126"	179.14 189.28 199.40 211.00 224.50 240.94 255.54 269.04 282.56 300.56 327.38 346.10 367.22 418.92 455.66 491.94 533.92 573.00 606.86 643.64

D8 DELUXE 1 INCH BLIND STANDARD	
Width	23" 26" 29" 32" 36" 40" 44" 48" 52" 57" 62" 67" 72" 82" 92" 102" 112" 122" 132" 142"
Height To 42"	135.34 139.56 143.76 149.42 155.02 162.66 169.36 174.98 180.58 188.72 204.22 213.06 220.08 252.04 268.12 284.66 305.48 323.80 337.90 354.04
48"	138.04 142.58 147.10 153.10 159.14 167.30 174.42 180.46 186.50 195.18 211.36 220.74 228.30 261.34 278.58 296.20 318.24 337.64 352.82 370.12
54"	141.82 146.68 151.52 157.84 164.32 172.98 180.56 187.02 193.50 202.70 219.66 229.58 237.68 271.80 290.20 308.92 332.24 352.72 368.98 387.44
60"	144.52 149.70 154.88 161.52 168.42 177.62 185.60 192.50 199.42 209.16 226.80 237.24 245.90 281.08 300.66 320.46 345.00 366.56 383.90 403.52
66"	147.22 152.74 158.22 165.20 172.52 182.24 190.66 198.00 205.34 215.62 233.94 244.92 254.12 290.38 311.12 332.00 357.74 380.40 404.04 424.84
72"	151.10 156.92 162.74 170.04 177.80 188.02 196.88 204.64 212.42 223.26 242.32 253.86 263.58 300.92 322.84 344.78 371.84 400.80 420.30 442.24
78"	153.80 159.96 166.10 173.72 181.90 192.64 201.94 210.14 218.34 229.72 249.46 261.52 271.80 310.22 333.30 356.32 388.82 414.62 435.20 458.34
84"	156.16 162.58 169.00 176.90 185.46 196.66 206.32 214.88 223.46 235.30 255.64 268.18 278.90 318.26 342.34 366.30 399.86 426.58 448.10 472.22
90"	163.26 170.00 176.76 184.98 193.98 205.68 215.78 224.78 233.78 246.16 267.26 280.34 291.60 332.04 357.30 386.54 417.18 445.00 467.58 492.88
96"	165.96 173.04 180.10 188.64 198.08 210.30 220.82 230.26 239.70 252.62 274.40 288.02 299.82 341.34 371.98 398.08 429.94 458.84 482.50 508.96
102"	168.66 176.06 183.46 192.32 202.18 214.92 225.88 235.74 245.62 259.08 281.52 295.68 308.04 350.64 382.44 409.62 442.70 472.66 497.42 525.04
108"	171.36 179.08 186.80 196.00 206.30 219.54 230.94 241.24 251.54 265.54 288.66 303.36 316.26 364.16 392.90 421.16 455.46 486.50 512.34 541.12
114"	163.58 171.64 179.68 189.20 199.92 213.70 225.52 236.24 246.98 261.52 284.90 300.14 313.56 362.54 392.46 421.80 456.88 489.00 515.92 545.86
120"	166.28 174.66 183.04 192.88 204.04 218.32 230.58 241.74 252.90 267.98 292.02 307.80 321.78 371.84 402.90 433.34 469.64 502.84 530.82 561.94
126"	169.00 177.70 186.38 196.54 208.14 222.94 235.62 247.22 258.82 274.44 299.16 315.48 334.22 381.14 413.36 444.88 482.38 516.68 545.74 578.02

DELUXE – VALANCE INTEGRATED BLIND SPECIFICATIONS

CORD LOCK SIZE STANDARDS

Minimum	
Minimum Height	6"
Minimum Net Width	8"
Maximum	
Maximum Height	126"
Maximum Width (single blind)	142"
Maximum Width (2 or 3 on 1 headrail)	142"
Maximum Square Feet (single blind)	124 sq ft
Control Requirements	
Split controls L/R Min.	10 1/2"
Wand Left/Lift Right (standard)	
Group controls LL/LR Min.	18 1/8"
Tilt only Net Width	8" - 10 3/8"

LIFT & LOCK™ SIZE STANDARDS

Minimum	
Minimum Height	12"
Minimum Net Width	10 1/2"
Maximum	
Maximum Height	84"
Maximum Width (single blind)	120"
Maximum Width (2 or 3 on 1 headrail)	120"
Maximum Square Feet (single blind)	70 sq ft

MOUNTING REQUIREMENTS

Inside (IB) Mount	
Minimum required depth	7/8"
Minimum required depth, flush mount	1 1/4"
Outside (OB) Mount	
Minimum required mounting surface	5/8"
Rail-to-mount surface clearance	5/16"
Slat end-to-mount surface clearance	5/16"
Recommended width overlap per side	1 1/2"

FINISHED DIMENSIONS

Inside (IB) Mount	
Headrail width	-1/4"
Slat width	-1/2"
Blind height	ordered height
Outside (OB) Mount	
Headrail width	+1/4"
Slat width	ordered width
Blind height	ordered height

Note: Measurements represent difference of total headrail or slat length (including end caps) from ordered width.

INSTALLATION BRACKETS & SUPPORTS

Install Brackets		
Finished Width	# of Brackets	# of Brackets
	Under 60 sq ft	60 sq ft +
Up to 60"	2	3
60 1/8" to 120"	3	4
Over 120"	4	5

STACKING HEIGHTS (APPROXIMATE)

Blind Height	Stacks To
36"	3"
48"	3 1/2"
60"	4"
72"	4 1/2"
84"	5"
96"	5 1/2"
108"	6"
120"	6 1/2"
126"	6 3/4"

CONTROL OPTIONS

Standard	
Tilt wand left (L), pull cord right (R)	
Optional	
Tilt wand (R), pull cord (L)	
Tilt wand (R), pull cord (R)	
Tilt wand (L), pull cord (L)	
Control Positions	
8 1/8" to 10 1/2" FINISHED width, center tilt or no tilt (no lift cord)	
10 5/8" to 18 1/8" FINISHED, must be split L/R or R/L	
18 1/4" FINISHED width or greater, controls can be L/R, R/L, L/L, or R/R	

Note: Unless otherwise specified, pull cord length will match wand length. Minimum pull cord and wand length is 12".

LIFT & LOCK™ CONTROL OPTIONS

Standard	
Tilt wand left (L)	
Optional	
Tilt wand (R)	

WAND LENGTH STANDARDS

Blind Height	Wand Length
6" to 22"	12"
22 1/8" to 37"	20"
37 1/8" to 52"	30"
52 1/8" to 67"	40"
67 1/8" to 82"	50"
82 1/8" to 142"	60"

Note: Any wand length listed above may be chosen to override the supplied standard wand length. Additional wand lengths: 70", 78", 90" or 120".

LADDER STANDARDS

Finished Width	Number of Ladders
Up to 36"	2
36 1/8" to 60"	3
60 1/8" to 84"	4
84 1/8" to 108"	5
108 1/8" to 132"	6

OPTIONAL FEATURES

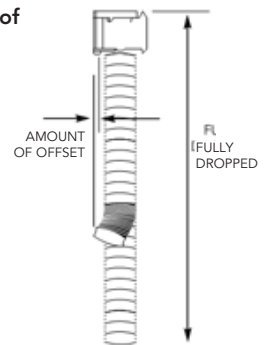
Lift & Lock™ cordless (standard rout only)

No Charge – Specify on Order

- Hold-down brackets
- 3/8" spacer blocks
- Extension brackets
- Non-standard cord length
- Non-standard wand length
- Multiple blinds on one headrail
- Cut-outs

OFFSET STACKING CHART

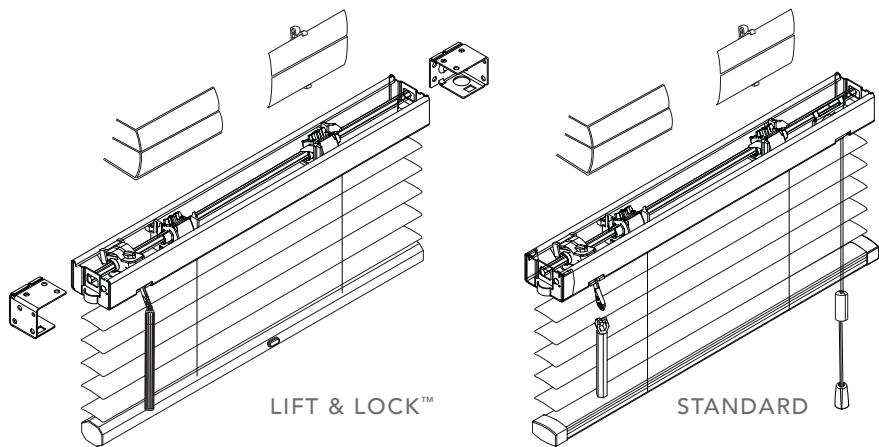
Length of Offset	Amount of Offset
12"	1/4"
24"	7/16"
36"	9/16"
48"	11/16"
60"	3/4"
72"	13/16"
84"	13/16"
96"	7/8"
108"	7/8"
120"	7/8"



HOW TO PRICE

- Important Note!** All base prices are predicated on Ordered Dimensions, not Finished Dimensions.
- Multiple blinds on 1 headrail – price each blind individually and add together for total price.
- Base prices for 1" Deluxe blinds are shown on price chart D8.
- Lift & Lock™ cordless surcharge added to each blind ordered when selected as an option.

TRADITIONAL – 1x1.5" BLIND



T6 T8 TRADITIONAL

- LIFT & LOCK™ CORDLESS AVAILABLE
- 1X1.5" RAIL SYSTEM
- 6 OR 8 GAUGE 1" SLAT
- 22MM LADDER SPACING
- BOX BRACKETS & METAL END STIFFENER
- 2 SLAT VALANCE & CLIPS OR CHANNEL VALANCE
- LOCK SEAM CLOSED BOTTOMRAIL
- AVAILABLE IN 26 COLORS



CORDLESS SURCHARGE OPTION

Lift & Lock™ Price as standard blind and add \$124

T8		TRADITIONAL 1 INCH BLIND 8-GAUGE																				
Width		23"	26"	29"	32"	36"	40"	44"	48"	52"	57"	62"	67"	72"	82"	92"	102"	112"	122"	132"	142"	152"
Height To	42"	139.08	145.00	150.60	157.54	165.00	174.58	183.04	190.50	199.80	210.16	223.42	234.42	243.82	279.12	300.30	321.62	345.40	365.98	384.74	405.60	424.66
	48"	141.54	147.74	153.64	160.88	168.74	178.78	187.64	195.50	205.18	216.04	229.96	241.46	251.34	287.62	309.86	332.16	357.00	378.56	398.30	420.22	440.26
	54"	145.06	151.56	157.76	165.28	173.54	184.04	193.30	201.56	211.62	222.96	237.70	249.70	260.06	297.34	320.64	343.92	369.82	392.36	413.08	436.06	457.08
	60"	147.52	154.32	160.80	168.62	177.26	188.26	197.90	206.54	217.00	228.84	244.24	256.74	267.58	305.84	330.20	354.46	381.42	404.94	426.64	450.68	472.68
	66"	149.98	157.08	163.86	171.96	181.00	192.46	202.50	211.54	222.40	234.72	250.78	263.76	275.10	314.34	339.76	365.00	393.02	417.52	440.20	465.30	488.28
	72"	156.44	163.82	170.90	179.30	188.74	200.66	211.08	220.52	231.76	244.58	261.48	274.94	286.78	326.98	353.46	379.68	408.78	434.26	457.92	484.06	508.04
	78"	158.90	166.58	173.94	182.64	192.46	204.88	215.68	225.52	237.16	250.46	268.02	281.96	294.30	335.48	363.02	390.22	420.38	446.84	471.48	498.70	523.64
	84"	166.30	174.26	181.94	190.92	201.14	214.02	225.22	235.44	247.48	261.26	279.64	294.08	306.90	349.08	377.68	405.86	437.08	464.50	490.14	518.40	544.34
	90"	168.76	177.02	184.98	194.26	204.88	218.22	229.82	240.44	252.86	267.14	286.18	301.12	314.42	357.58	387.24	416.40	448.68	477.10	503.70	533.02	559.94
	96"	171.22	179.78	188.02	197.60	208.60	222.42	234.42	245.42	258.24	273.02	292.72	308.14	321.94	366.08	396.80	426.94	460.28	489.68	517.26	547.66	575.54
	102"	173.68	182.54	191.08	200.96	212.34	226.64	239.02	250.42	263.62	278.90	299.26	315.18	329.46	374.56	406.36	437.48	471.88	502.26	530.82	562.28	591.14
	108"	176.14	185.28	194.12	204.30	216.08	230.84	243.62	255.40	269.00	284.76	305.80	322.20	336.98	383.06	415.92	448.02	483.48	514.84	544.38	576.90	606.74
	114"	178.60	188.04	197.18	207.64	219.82	235.06	248.22	260.40	274.40	290.64	312.34	329.24	344.50	391.56	425.48	458.56	495.08	527.42	557.94	591.52	622.34
120"	180.74	190.44	199.82	210.54	223.06	238.70	252.22	264.72	279.06	295.72	318.02	335.32	351.02	398.92	433.76	467.68	505.12	538.30	569.66	604.16	635.82	
126"	183.20	193.20	202.88	213.88	226.78	242.92	256.82	269.72	284.44	301.60	324.56	342.36	358.54	407.42	443.32	478.22	516.72	550.88	583.22	618.78	651.42	

T6		TRADITIONAL 1 INCH BLIND 6-GAUGE																				
Width		23"	26"	29"	32"	36"	40"	44"	48"	52"	57"	62"	67"	72"	82"	92"	102"	112"	122"	132"	142"	152"
Height To	42"	137.26	142.86	148.16	154.80	161.86	171.02	179.08	186.14	195.04	204.88	217.66	228.16	237.04	271.40	291.56	311.88	334.66	354.22	371.96	391.78	409.84
	48"	139.48	145.36	150.92	157.80	165.22	174.82	183.24	190.64	199.88	210.18	223.56	234.50	243.80	279.06	300.18	321.36	345.10	365.54	384.16	404.94	423.86
	54"	142.78	148.90	154.74	161.90	169.66	179.68	188.44	196.20	205.80	216.52	230.68	242.06	251.80	287.92	310.00	332.08	356.76	378.08	397.58	419.32	439.12
	60"	145.00	151.40	157.48	164.90	173.02	183.48	192.60	200.70	210.64	221.82	236.58	248.40	258.58	295.58	318.62	341.56	367.22	389.40	409.76	432.48	453.14
	66"	147.24	153.90	160.24	167.92	176.38	187.28	196.74	205.20	215.50	227.10	242.48	254.74	265.36	303.24	327.24	351.04	377.66	400.72	421.96	445.62	467.18
	72"	153.48	160.40	167.00	174.96	183.76	195.10	204.90	213.72	224.36	236.40	252.56	265.26	276.32	315.06	340.02	364.70	392.28	416.22	438.34	462.96	485.38
	78"	155.70	162.88	169.76	177.98	187.14	198.90	209.06	218.22	229.22	241.70	258.46	271.60	283.10	322.72	348.62	374.20	402.72	427.54	450.54	476.12	499.42
	84"	162.90	170.34	177.48	185.96	195.46	207.66	218.16	227.68	239.02	251.94	269.48	283.06	294.98	335.48	362.36	388.80	418.28	443.98	467.86	494.38	518.56
	90"	165.12	172.84	180.24	188.96	198.84	211.46	222.32	232.18	243.88	257.24	275.38	289.38	301.76	343.14	370.96	398.28	428.72	455.30	480.04	507.54	532.60
	96"	167.36	175.32	182.98	191.98	202.20	215.26	226.46	236.68	248.72	262.52	281.28	295.72	308.54	350.80	379.58	407.78	439.18	466.62	492.24	520.70	546.62
	102"	169.58	177.82	185.74	195.00	205.56	219.04	230.62	241.18	253.58	267.82	287.18	302.06	315.32	358.46	388.20	417.26	449.62	477.94	504.44	533.84	560.66
	108"	171.80	180.30	188.50	198.02	208.94	222.84	234.76	245.68	258.42	273.10	293.08	308.40	322.10	366.10	396.80	426.76	460.06	489.26	516.64	547.00	574.88
	114"	174.04	182.80	191.24	201.04	212.30	226.64	238.92	250.18	263.28	278.38	298.98	314.74	328.88	373.76	405.42	436.24	470.50	500.58	528.84	560.16	588.72
120"	175.98	184.96	193.64	203.66	215.22	229.94	242.52	254.08	267.48	282.96	304.12	320.26	334.76	380.40	412.88	444.46	479.56	510.38	539.38	571.54	600.86	
126"	178.20	187.46	196.40	206.68	218.58	233.74	246.66	258.58	272.32	288.26	310.02	326.60	341.54	388.04	421.50	453.94	490.00	521.70	551.58	584.70	614.88	

TRADITIONAL – 1x1.5" BLIND SPECIFICATIONS

CORD LOCK SIZE STANDARDS

Minimum	
Minimum Height	6"
Minimum Net Width	8"
Maximum	
Maximum Height	126"
Maximum Width (single blind)	152"
Maximum Width (2 or 3 on 1 headrail)	152"
Maximum Square Feet (single blind)	133 sq ft
Control Requirements	
Split controls L/R Min.	10 1/2"
Wand Left/Lift Right (standard)	
Group controls LL/LR Min.	18 1/8"
Tilt only Net Width	8" - 10 3/8"

LIFT & LOCK™ SIZE STANDARDS

Minimum	
Minimum Height	12"
Minimum Net Width	10 1/2"
Maximum	
Maximum Height	84"
Maximum Width (single blind)	120"
Maximum Width (2 or 3 on 1 headrail)	120"
Maximum Square Feet (single blind)	70 sq ft

MOUNTING REQUIREMENTS

Inside (IB) Mount	
Minimum required depth	1 3/8"
Minimum required depth, flush mount	2 1/4"
Outside (OB) Mount	
Minimum required mounting surface	1 3/8"
Rail-to-mount surface clearance	5/16"
Slat end-to-mount surface clearance	5/16"
Recommended width overlap per side	1 1/2"

FINISHED DIMENSIONS

Inside (IB) Mount	
Headrail width	-1/2"
Slat width	-1/2"
Blind height	ordered height
Outside (OB) Mount	
Headrail width	ordered width
Slat width	ordered width
Blind height	ordered height

Note: Measurements represent difference of total headrail or slat length (including end caps) from ordered width.

INSTALLATION BRACKETS & SUPPORTS

Install Brackets	
Standard	1 pair
Support Brackets	
Finished Width	Number of Brackets
48" - 84"	1
84 1/8" to 120"	2
Over 120"	3

STACKING HEIGHTS (APPROXIMATE)

Blind Height	Stacks To
36"	3"
48"	3 1/2"
60"	4"
72"	4 1/2"
84"	5"
96"	5 1/2"
108"	6"
120"	6 1/2"
126"	6 3/4"

CONTROL OPTIONS

Standard
Tilt wand left (L), pull cord right (R)
Optional
Tilt wand (R), pull cord (L)
Tilt wand (R), pull cord (R)
Tilt wand (L), pull cord (L)
Control Positions
8 1/8" to 10 1/2" FINISHED width, center tilt or no tilt (no lift cord)
10 5/8" to 18 1/8" FINISHED, must be split L/R or R/L
18 1/4" FINISHED width or greater, controls can be L/R, R/L, L/L, or R/R
Note: Unless otherwise specified, pull cord length will match wand length. Minimum pull cord and wand length is 12".

LIFT & LOCK™ CONTROL OPTIONS

Standard
Tilt wand left (L)
Optional
Tilt wand (R)

WAND LENGTH STANDARDS

Blind Height	Wand Length
6" to 22"	12"
22 1/8" to 37"	20"
37 1/8" to 52"	30"
52 1/8" to 67"	40"
67 1/8" to 82"	50"
82 1/8" to 126"	60"

Note: Any wand length listed above may be chosen to override the supplied standard wand length. Additional wand lengths: 70", 78", 90" or 120".

LADDER STANDARDS

Finished Width	Number of Ladders
Up to 36"	2
36 1/8" to 60"	3
60 1/8" to 84"	4
84 1/8" to 108"	5
108 1/8" to 132"	6
132 1/8" to 144"	7

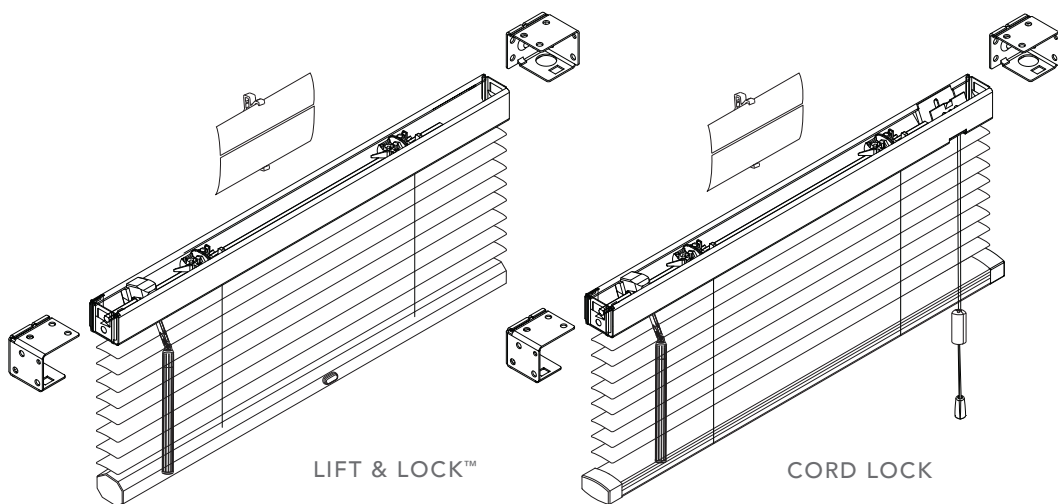
OPTIONAL FEATURES

- Lift & Lock™ cordless
- No Charge – Specify on Order**
- 2 slat valance & clips
- Channel valance
- Hold-down brackets
- 3/8" spacer blocks
- Extension brackets
- Non-standard cord length
- Non-standard wand length
- Multiple blinds on one headrail
- Cut-outs

HOW TO PRICE

- **Important Note!** All base prices are predicated on Ordered Dimensions, not Finished Dimensions.
- Multiple blinds on 1 headrail – price each blind individually and add together for total price.
- Base prices for 1" Traditional blinds are shown on price chart T6 and T8.
- Lift & Lock™ cordless surcharge added to each blind ordered when selected as an option.

BASIC – 1x1" BLIND



B6 BASIC

- LIFT & LOCK™ CORDLESS AVAILABLE
- 1X1 RAIL SYSTEM
- 6 GAUGE 1" SLAT
- 22MM LADDER SPACING
- BOX BRACKETS & METAL END STIFFENER
- 2 SLAT VALANCE & CLIPS
- LOCK SEAM BOTTOMRAIL
- AVAILABLE IN 31 COLORS



CORDLESS SURCHARGE OPTION

Lift & Lock™ Price as standard blind and add \$124

B6 BASIC 1 INCH BLIND		12"	24"	28"	32"	36"	40"	44"	48"	52"	57"	62"	67"	72"	82"	92"	102"	112"	122"	132"	144"
Height To	42"	77.34	92.40	97.42	102.44	110.08	128.84	133.86	138.36	143.38	150.96	171.78	178.06	192.96	209.48	235.48	266.56	294.94	318.58	330.92	352.00
	48"	78.74	94.94	100.36	105.76	113.78	136.66	142.06	146.94	152.34	160.42	181.80	188.56	203.94	221.42	248.48	280.52	310.16	334.76	348.08	370.40
	54"	81.42	98.78	104.58	110.36	118.78	138.50	144.28	149.54	155.34	163.90	185.84	193.08	208.96	227.38	255.50	288.50	319.42	344.98	359.24	382.82
	60"	82.82	101.34	107.52	113.70	122.50	142.68	148.86	154.50	160.68	169.72	192.24	199.96	216.30	235.70	264.86	298.84	330.92	357.44	372.68	402.38
	66"	88.74	108.42	114.98	121.54	130.72	151.38	157.94	163.98	170.54	180.06	203.14	211.34	228.18	248.54	278.74	313.68	347.14	374.62	395.70	421.76
	72"	90.16	110.98	117.92	124.86	134.44	155.58	162.52	168.92	175.88	185.88	209.54	218.22	235.54	256.86	288.12	324.02	358.64	391.98	409.14	436.44
	78"	93.50	115.48	122.82	130.14	140.10	161.70	169.02	175.82	183.16	193.64	217.88	227.04	244.84	267.12	299.42	336.28	372.28	406.58	424.70	453.24
	84"	94.90	118.04	125.76	133.46	143.80	165.88	173.60	180.78	188.50	199.46	224.26	233.90	252.18	275.44	308.80	346.62	383.78	419.04	438.12	467.90
	90"	96.30	120.60	128.70	136.80	147.52	170.08	178.18	185.74	193.84	205.28	230.66	240.78	259.54	283.74	318.16	356.94	395.28	431.50	451.54	482.58
	96"	97.54	122.82	131.26	139.68	150.74	173.72	182.14	190.04	198.48	210.34	236.20	246.74	265.92	290.94	326.28	365.88	405.24	442.30	463.16	495.28
	102"	98.94	125.38	134.20	143.02	154.46	177.90	186.72	195.00	203.82	216.16	242.60	253.62	273.26	299.26	335.64	376.22	416.74	454.76	476.60	509.94
	108"	100.36	127.94	137.14	146.34	158.16	182.10	191.28	199.96	209.16	221.98	248.98	260.48	280.62	307.58	345.00	386.54	428.24	467.22	490.02	524.60
	114"	101.76	130.50	140.10	149.68	161.88	186.28	195.86	204.92	214.50	227.80	255.38	267.36	287.98	315.90	354.38	396.88	439.74	479.68	503.44	539.28
	120"	103.16	133.06	143.04	153.00	165.58	190.46	200.42	209.86	219.84	233.62	261.78	274.24	295.34	324.22	363.74	407.20	451.24	492.14	516.86	553.94
	126"	104.56	135.62	145.98	156.32	169.30	194.64	205.00	214.82	225.18	239.44	268.16	281.10	302.68	332.52	373.12	417.54	462.74	504.62	530.28	568.62

BASIC – 1x1" BLIND SPECIFICATIONS

CORD LOCK SIZE STANDARDS

Minimum	
Minimum Height	6"
Minimum Net Width	8"
Maximum	
Maximum Height	126"
Maximum Width (single blind)	144"
Maximum Width (2 or 3 on 1 headrail)	144"
Maximum Square Feet (single blind)	126 sq ft
Control Requirements	
Split controls L/R Min.	10 1/2"
Wand Left/Lift Right (standard)	
Group controls LL/LR Min.	18 1/8"
Tilt only Net Width	8" - 10 3/8"

LIFT & LOCK™ SIZE STANDARDS

Minimum	
Minimum Height	12"
Minimum Net Width	10 1/2"
Maximum	
Maximum Height	84"
Maximum Width (single blind)	120"
Maximum Width (2 or 3 on 1 headrail)	120"
Maximum Square Feet (single blind)	70 sq ft

MOUNTING REQUIREMENTS

Inside (IB) Mount	
Minimum required depth	7/8"
Minimum required depth, flush mount	1 1/4"
Outside (OB) Mount	
Minimum required mounting surface	5/8"
Rail-to-mount surface clearance	5/16"
Slat end-to-mount surface clearance	5/16"
Recommended width overlap per side	1 1/2"

FINISHED DIMENSIONS

Inside (IB) Mount	
Headrail width	-1/2"
Slat width	-1/2"
Blind height	ordered height
Outside (OB) Mount	
Headrail width	ordered width
Slat width	ordered width
Blind height	ordered height

Note: Measurements represent difference of total headrail or slat length (including end caps) from ordered width.

INSTALLATION BRACKETS & SUPPORTS

Install Brackets	
Standard	1 pair
Support Brackets	
Finished Width	Number of Brackets
48" - 84"	1
84 1/8" to 120"	2
Over 120"	3

STACKING HEIGHTS (APPROXIMATE)

Blind Height	Stacks To
36"	3"
48"	3 1/2"
60"	4"
72"	4 1/2"
84"	5"
96"	5 1/2"
108"	6"
120"	6 1/2"
126"	6 3/4"

CORD LOCK CONTROL OPTIONS

Standard
Tilt wand left (L), pull cord right (R)
Optional
Tilt wand (R), pull cord (L)
Tilt wand (R), pull cord (R)
Tilt wand (L), pull cord (L)
Control Positions
8 1/8" to 10 1/2" FINISHED width, center tilt or no tilt (no lift cord)
10 5/8" to 18 1/8" FINISHED, must be split L/R or R/L
18 1/4" FINISHED width or greater, controls can be L/R, R/L, L/L, or R/R
Note: Unless otherwise specified, pull cord length will match wand length. Minimum pull cord and wand length is 12".

LIFT & LOCK™ CONTROL OPTIONS

Standard
Tilt wand left (L)
Optional
Tilt wand (R)

WAND LENGTH STANDARDS

Blind Height	Wand Length
6" to 22"	12"
22 1/8" to 37"	20"
37 1/8" to 52"	30"
52 1/8" to 67"	40"
67 1/8" to 82"	50"
82 1/8" to 126"	60"

Note: Any wand length listed above may be chosen to override the supplied standard wand length. Additional wand lengths: 70", 78", 90" or 120".

LADDER STANDARDS

Finished Width	Number of Ladders
Up to 36"	2
36 1/8" to 60"	3
60 1/8" to 84"	4
84 1/8" to 108"	5
108 1/8" to 132"	6
132 1/8" to 144"	7

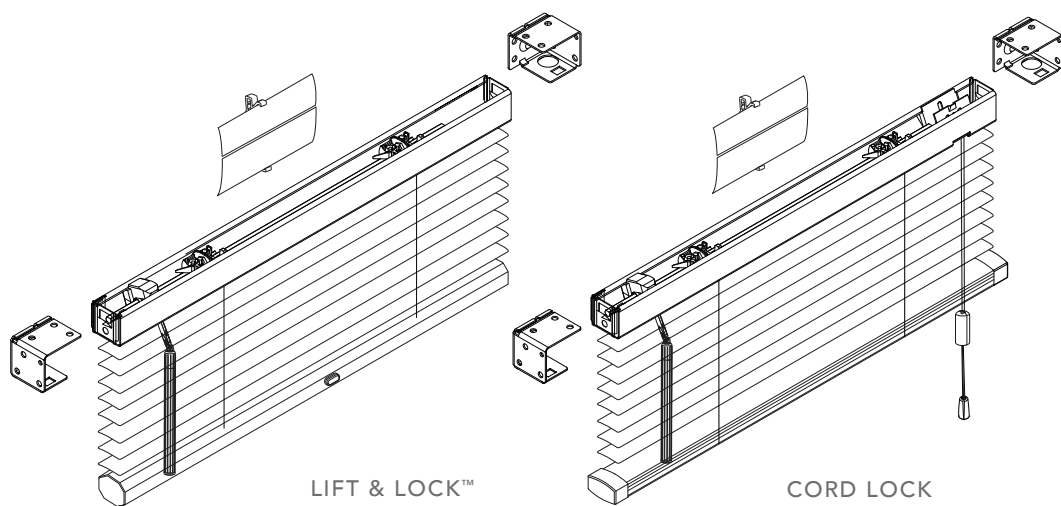
OPTIONAL FEATURES

- Lift & Lock™ cordless
- No Charge – Specify on Order**
- Hold-down brackets
- 3/8" spacer blocks
- Extension brackets
- Non-standard cord length
- Non-standard wand length
- Multiple blinds on one headrail
- Cut-outs

HOW TO PRICE

- **Important Note!** All base prices are predicated on Ordered Dimensions, not Finished Dimensions.
- Multiple blinds on 1 headrail – price each blind individually and add together for total price.
- Base prices for 1" Basic blinds are shown on price chart B6.
- Lift & Lock™ cordless surcharge added to each blind ordered when selected as an option.

VALUE – 1x1" BLIND



V6 VALUE

- LIFT & LOCK™ CORDLESS AVAILABLE
- 1X1 RAIL SYSTEM
- 6 GAUGE 1" SLAT
- 23MM LADDER SPACING
- BOX BRACKETS & METAL END STIFFENER
- 2 SLAT VALANCE & CLIPS
- LOCK SEAM BOTTOMRAIL
- AVAILABLE IN 6 COLORS



CORDLESS SURCHARGE OPTION

Lift & Lock™ Price as standard blind and add \$124

V6 VALUE 1 INCH BLIND																					
Width		12"	24"	28"	32"	36"	40"	44"	48"	52"	57"	62"	67"	72"	82"	92"	102"	112"	122"	132"	144"
Height To	42"	76.62	88.46	92.42	96.36	103.02	121.42	125.38	128.78	132.72	139.02	159.24	164.18	179.88	194.14	218.48	247.78	274.24	295.84	305.78	324.82
	48"	77.66	90.30	94.52	98.72	105.64	124.42	132.34	136.02	140.22	146.86	167.50	172.76	188.78	203.70	228.80	258.76	286.16	308.42	319.02	338.94
	54"	80.00	93.42	97.90	102.38	109.56	128.68	133.16	137.08	141.56	148.52	169.58	175.18	191.54	207.12	232.96	263.58	291.92	314.84	326.10	346.88
	60"	81.06	95.26	100.00	104.74	112.18	131.66	136.40	140.60	145.34	152.62	174.10	180.02	196.72	212.96	239.54	270.82	300.02	323.60	335.52	362.24
	66"	86.74	101.74	106.74	111.74	119.46	139.28	144.28	148.74	153.74	161.36	183.26	189.52	206.52	223.42	250.76	282.70	312.94	337.18	354.82	377.36
	72"	87.78	103.58	108.84	114.10	122.08	142.26	147.54	152.24	157.52	165.46	187.78	194.36	211.70	229.26	257.36	289.94	321.04	350.98	364.24	387.66
	78"	90.80	107.38	112.92	118.46	126.68	147.24	152.76	157.74	163.26	171.54	194.28	201.20	218.86	237.08	265.92	299.18	331.30	361.90	375.82	400.12
	84"	91.86	109.22	115.02	120.82	129.32	150.22	156.00	161.24	167.04	175.64	198.80	206.04	224.06	242.92	272.52	306.42	339.40	370.68	385.24	410.42
	90"	92.90	111.06	117.12	123.18	131.94	153.20	159.24	164.76	170.82	179.74	203.32	210.90	229.24	248.76	279.10	313.68	347.52	379.44	394.66	420.72
	96"	93.84	112.68	118.96	125.24	134.24	155.80	162.08	167.82	174.10	183.32	207.28	215.12	233.74	253.84	284.82	319.96	354.56	387.06	402.84	429.68
	102"	94.88	114.52	121.06	127.60	136.86	158.78	165.32	171.32	177.88	187.42	211.80	219.98	238.92	259.68	291.42	327.22	362.66	395.82	412.26	439.98
	108"	95.94	116.36	123.16	129.98	139.48	161.78	168.58	174.84	181.64	191.52	216.32	224.82	244.10	265.52	298.00	334.46	370.78	404.58	421.68	450.28
	114"	96.98	118.18	125.26	132.34	142.12	164.76	171.82	178.34	185.42	195.62	220.84	229.68	249.28	271.36	304.60	341.70	378.88	413.34	431.10	460.58
	120"	98.04	120.02	127.38	134.70	144.74	167.74	175.06	181.86	189.18	199.72	225.36	234.52	254.46	277.18	311.18	348.96	386.98	422.10	440.52	470.90
	126"	99.08	121.86	129.48	137.06	147.36	170.72	178.32	185.36	192.96	203.82	229.88	239.38	259.64	283.02	317.78	356.20	395.08	430.86	449.94	481.20

VALUE – 1x1" BLIND SPECIFICATIONS

CORD LOCK SIZE STANDARDS

Minimum	
Minimum Height	6"
Minimum Net Width	8"
Maximum	
Maximum Height	126"
Maximum Width (single blind)	144"
Maximum Width (2 or 3 on 1 headrail)	144"
Maximum Square Feet (single blind)	126 sq ft
Control Requirements	
Split controls L/R Min.	10 1/2"
Wand Left/Lift Right (standard)	
Group controls LL/LR Min.	18 1/8"
Tilt only Net Width	8" - 10 3/8"

LIFT & LOCK™ SIZE STANDARDS

Minimum	
Minimum Height	12"
Minimum Net Width	10 1/2"
Maximum	
Maximum Height	84"
Maximum Width (single blind)	120"
Maximum Width (2 or 3 on 1 headrail)	120"
Maximum Square Feet (single blind)	70 sq ft

MOUNTING REQUIREMENTS

Inside (IB) Mount	
Minimum required depth	7/8"
Minimum required depth, flush mount	1 1/4"
Outside (OB) Mount	
Minimum required mounting surface	5/8"
Rail-to-mount surface clearance	5/16"
Slat end-to-mount surface clearance	5/16"
Recommended width overlap per side	1 1/2"

FINISHED DIMENSIONS

Inside (IB) Mount	
Headrail width	-1/2"
Slat width	-1/2"
Blind height	ordered height
Outside (OB) Mount	
Headrail width	ordered width
Slat width	ordered width
Blind height	ordered height

Note: Measurements represent difference of total headrail or slat length (including end caps) from ordered width.

INSTALLATION BRACKETS & SUPPORTS

Install Brackets	
Standard	1 pair
Support Brackets	
Finished Width	Number of Brackets
48" - 84"	1
84 1/8" to 120"	2
Over 120"	3

STACKING HEIGHTS (APPROXIMATE)

Blind Height	Stacks To
36"	3"
48"	3 1/2"
60"	4"
72"	4 1/2"
84"	5"
96"	5 1/2"
108"	6"
120"	6 1/2"
126"	6 3/4"

CONTROL OPTIONS

Standard
Tilt wand left (L), pull cord right (R)
Optional
Tilt wand (R), pull cord (L)
Tilt wand (R), pull cord (R)
Tilt wand (L), pull cord (L)
Control Positions
8 1/8" to 10 1/2" FINISHED width, center tilt or no tilt (no lift cord)
10 5/8" to 18 1/8" FINISHED, must be split L/R or R/L
18 1/4" FINISHED width or greater, controls can be L/R, R/L, L/L, or R/R
Note: Unless otherwise specified, pull cord length will match wand length. Minimum pull cord and wand length is 12".

LIFT & LOCK™ CONTROL OPTIONS

Standard
Tilt wand left (L)
Optional
Tilt wand (R)

WAND LENGTH STANDARDS

Blind Height	Wand Length
6" to 22"	12"
22 1/8" to 37"	20"
37 1/8" to 52"	30"
52 1/8" to 67"	40"
67 1/8" to 82"	50"
82 1/8" to 126"	60"

Note: Any wand length listed above may be chosen to override the supplied standard wand length. Additional wand lengths: 70", 78", 90" or 120".

LADDER STANDARDS

Finished Width	Number of Ladders
Up to 36"	2
36 1/8" to 60"	3
60 1/8" to 84"	4
84 1/8" to 108"	5
108 1/8" to 132"	6
132 1/8" to 144"	7

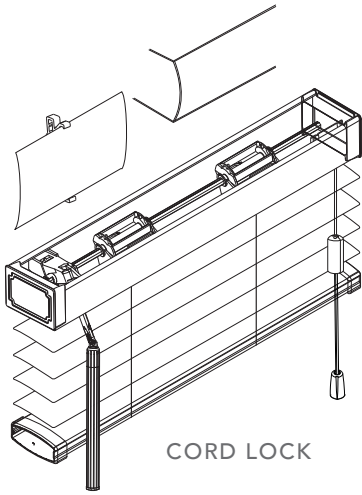
OPTIONAL FEATURES

- Lift & Lock™ cordless
- No Charge – Specify on Order**
- Hold-down brackets
- 3/8" spacer blocks
- Extension brackets
- Non-standard cord length
- Non-standard wand length
- Multiple blinds on one headrail
- Cut-outs

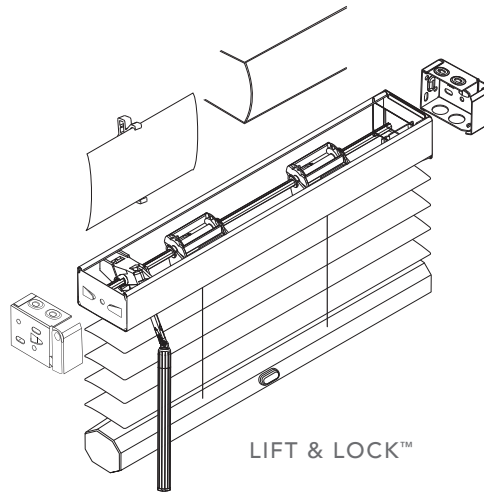
HOW TO PRICE

- **Important Note!** All base prices are predicated on Ordered Dimensions, not Finished Dimensions.
- Multiple blinds on 1 headrail – price each blind individually and add together for total price.
- Base prices for 1" Value blinds are shown on price chart V6.
- Lift & Lock™ cordless surcharge added to each blind ordered when selected as an option.

MACRO – 2" BLIND



CORD LOCK



LIFT & LOCK™

M2 MACRO 2"

- LIFT & LOCK™ CORDLESS AVAILABLE
- 2" LOW PROFILE RAIL SYSTEM
- 8 GAUGE 2" SLAT
- PRIVACY OR TRADITIONAL ROUTE
- 42MM LADDER SPACING
- SLAT VALANCE & CLIPS OR CHANNEL VALANCE
- WAND TILT OR CORD TILT
- BOX BRACKETS & END STIFFENER
- AVAILABLE IN 18 COLORS



CORDLESS SURCHARGE OPTION

Lift & Lock™ Price as standard blind and add \$124

M2	MACRO 2 INCH BLIND PRIVACY																			
Width	12"	24"	28"	32"	36"	40"	44"	48"	52"	57"	62"	67"	72"	82"	92"	102"	112"	122"	132"	144"
Height To 42"	133.96	157.58	165.46	173.32	184.80	192.66	200.54	214.16	222.02	233.48	243.28	253.12	273.76	308.52	328.18	369.32	389.02	432.10	451.80	465.12
48"	136.00	161.16	169.56	177.94	189.92	198.32	206.70	220.96	229.34	241.44	251.90	262.38	283.66	319.92	340.88	383.30	404.28	448.84	469.82	484.70
54"	139.12	165.84	174.74	183.64	196.14	205.04	213.94	228.84	237.72	250.48	261.58	272.70	294.62	332.42	354.66	398.38	420.64	466.66	488.92	505.36
60"	140.80	168.66	177.96	187.24	200.12	209.42	218.70	234.12	243.38	256.62	268.20	279.82	302.22	341.20	364.42	409.08	432.32	479.48	502.72	520.30
66"	147.14	176.56	186.38	196.18	209.58	219.38	229.18	245.24	255.02	268.90	281.12	293.38	316.42	356.92	381.42	427.38	451.90	500.54	525.06	544.18
72"	148.82	179.40	189.60	199.78	213.56	223.76	233.94	250.50	260.68	275.04	287.74	300.48	324.02	365.70	391.18	438.10	463.60	513.36	538.84	559.14
78"	156.22	188.34	199.06	209.74	224.06	234.76	245.46	262.66	273.36	288.36	301.72	315.08	339.26	382.48	409.24	457.44	484.22	535.46	562.22	584.06
84"	158.26	191.92	203.16	214.36	229.18	240.40	251.62	269.48	280.68	296.32	310.32	324.34	349.16	393.88	421.92	471.44	499.50	552.20	580.26	603.64
90"	159.94	194.76	206.36	217.96	233.18	244.78	256.38	274.74	286.34	302.48	316.94	331.44	356.76	402.68	431.68	482.16	511.18	565.02	594.04	618.58
96"	155.46	191.84	203.96	216.08	231.80	243.92	256.04	275.04	287.14	303.92	319.04	334.18	360.14	407.58	437.86	489.62	519.94	575.24	605.56	631.64
102"	157.50	195.42	208.06	220.70	236.92	249.56	262.20	281.84	294.46	311.88	327.64	343.44	370.02	418.98	450.56	503.62	535.22	591.98	623.58	651.22
108"	160.00	199.06	212.10	225.12	241.74	254.76	267.78	287.92	300.94	318.84	335.08	351.36	378.44	428.58	461.14	515.14	547.72	605.62	638.20	666.98
114"	162.04	202.66	216.20	229.72	246.86	260.40	273.94	294.74	308.26	326.80	343.70	360.60	388.32	440.00	473.84	529.14	562.98	622.36	656.22	686.56
120"	165.96	207.74	221.68	235.58	253.12	267.04	280.96	302.26	316.18	335.20	352.58	369.98	398.18	451.04	485.84	542.10	576.92	637.44	672.28	703.76
126"	168.00	211.32	225.78	240.20	258.24	272.68	287.12	309.06	323.50	343.16	361.18	379.22	408.08	462.44	498.54	556.10	592.20	654.18	690.30	723.34

M2	MACRO 2 INCH BLIND STANDARD																			
Width	12"	24"	28"	32"	36"	40"	44"	48"	52"	57"	62"	67"	72"	82"	92"	102"	112"	122"	132"	144"
Height To 42"	133.66	157.28	165.16	173.02	184.48	192.36	200.22	213.86	221.70	233.18	242.98	252.82	273.46	308.20	327.88	369.02	388.70	431.80	451.48	464.82
48"	135.70	160.86	169.26	177.64	189.62	198.02	206.40	220.66	229.02	241.14	251.58	262.06	283.36	319.62	340.58	383.00	403.98	448.54	469.52	484.40
54"	138.82	165.52	174.44	183.34	195.84	204.74	213.64	228.54	237.42	250.18	261.28	272.40	294.32	332.10	354.36	398.06	420.34	466.36	488.62	505.04
60"	140.48	168.36	177.66	186.94	199.82	209.12	218.40	233.82	243.08	256.32	267.90	279.50	301.92	340.90	364.10	408.78	432.02	479.18	502.42	520.00
66"	146.84	176.26	186.08	195.86	209.28	219.08	228.88	244.94	254.72	268.60	280.82	293.06	316.12	356.62	381.12	427.08	451.60	500.24	524.76	543.88
72"	148.52	179.08	189.28	199.48	213.26	223.46	233.64	250.20	260.38	274.74	287.44	300.18	323.72	365.40	390.88	437.80	463.28	513.06	538.54	558.84
78"	155.92	188.04	198.74	209.44	223.74	234.46	245.16	262.36	273.06	288.06	301.40	314.78	338.96	382.18	408.92	457.14	483.92	535.16	561.92	583.76
84"	157.96	191.62	202.84	214.06	228.88	240.10	251.32	269.16	280.38	296.02	310.02	324.04	348.86	393.58	421.62	471.14	499.20	551.88	579.96	603.34
90"	159.62	194.46	206.06	217.66	232.88	244.48	256.08	274.44	286.04	302.16	316.64	331.14	356.44	402.36	431.38	481.84	510.88	564.72	593.74	618.28
96"	155.16	191.52	203.66	215.78	231.50	243.62	255.72	274.74	286.84	303.62	318.74	333.88	359.84	407.26	437.56	489.32	519.64	574.94	605.26	631.34
102"	157.20	195.12	207.76	220.38	236.62	249.26	261.90	281.54	294.16	311.58	327.34	343.14	369.72	418.68	450.26	503.30	534.92	591.68	623.28	650.92
108"	159.68	198.76	211.80	224.80	241.42	254.46	267.46	287.62	300.64	318.54	334.78	351.06	378.14	428.28	460.82	514.84	547.40	605.32	637.90	666.68
114"	161.74	202.34	215.90	229.42	246.56	260.10	273.64	294.42	307.96	326.50	343.38	360.30	388.02	439.68	473.52	528.82	562.68	622.06	655.92	686.26
120"	165.66	207.44	221.36	235.28	252.80	266.74	280.66	301.96	315.86	334.90	352.28	369.68	397.88	450.74	485.54	541.80	576.62	637.14	671.96	703.46
126"	167.70	211.02	225.48	239.90	257.94	272.38	286.82	308.76	323.18	342.86	360.88	378.92	407.78	462.14	498.24	555.78	591.90	653.88	690.00	723.04

MACRO – 2" BLIND SPECIFICATIONS

CORD LOCK SIZE STANDARDS

Minimum	
Minimum Height	12"
Minimum Net Width	8"
Maximum	
Maximum Height	126"
Maximum Width (single blind)	144"
Maximum Width (2 or 3 on 1 headrail)	192"
Maximum Square Feet (single blind)	126 sq ft
Control Requirements	
Split controls L/R Min.	10 1/2"
Wand Left/Lift Right (standard)	
Group controls LL/LR Min.	18 1/8"
Tilt only Net Width	8" - 10 3/8"

LIFT & LOCK™ SIZE STANDARDS

Minimum	
Minimum Height	12"
Minimum Net Width	10 1/2"
Maximum	
Maximum Height	84"
Maximum Width (single blind)	144"
Maximum Width (2 or 3 on 1 headrail)	144"
Maximum Square Feet (single blind)	84 sq ft

MOUNTING REQUIREMENTS

Inside (IB) Mount	
Minimum required depth	1 1/8"
Minimum required depth, flush mount	3 3/8"
Outside (OB) Mount	
Minimum required mounting surface	1 3/4"
Recommended width overlap per side	1 1/2"

FINISHED DIMENSIONS

Inside (IB) Mount	
Headrail width	-3/4"
Slat width	-1/2"
Blind height	ordered height
Outside (OB) Mount	
Headrail width	-1/4"
Slat width	ordered width
Blind height	ordered height

Note: Measurements represent difference of total headrail or slat length (including end caps) from ordered width.

INSTALLATION BRACKETS & SUPPORTS

Install Brackets	
Standard	1 pair
Support Brackets	
Finished Width	Number of Brackets
72 1/8" to 96"	1
96 1/8" to 144"	2

STACKING HEIGHTS (APPROXIMATE)

Blind Height	Stacks To
36"	4 1/2"
48"	4 3/4"
60"	5"
72"	5 1/4"
84"	5 1/2"
96"	5 3/4"
108"	6"
120"	6 1/4"
126"	6 1/2"

CONTROL OPTIONS

Standard
Tilt wand left (L), pull cord right (R)
Optional
Tilt wand (R), pull cord (L)
Tilt wand (R), pull cord (R)
Tilt wand (L), pull cord (L)
Control Positions
8 1/8" to 10 1/2" FINISHED width, center tilt or no tilt (no lift cord)
10 1/2" to 22 1/2" FINISHED, must be split L/R or R/L
22 5/8" FINISHED width or greater, controls can be L/R, R/L, L/L, or R/R
Note: Unless otherwise specified, pull cord length will match wand length. Minimum pull cord and wand length is 12".

LIFT & LOCK™ CONTROL OPTIONS

Standard
Tilt wand left (L)
Optional
Tilt wand (R)

WAND LENGTH STANDARDS

Blind Height	Wand Length
6" to 22"	12"
22 1/8" to 37"	20"
37 1/8" to 52"	30"
52 1/8" to 67"	40"
67 1/8" to 82"	50"
82 1/8" to 126"	60"

Note: Any wand length listed above may be chosen to override the supplied standard wand length. Additional wand lengths: 70", 78", 90" or 120".

LADDER STANDARDS

Finished Width	Number of Ladders
Up to 46 1/2"	2
46 5/8" to 80 1/2"	3
80 5/8" to 114 1/2"	4
114 5/8" to 144"	5

OPTIONAL FEATURES

Lift & Lock™ cordless (standard rout only)

No Charge – Specify on Order

- Slat valance & clips
- Channel valance
- Hold-down brackets
- 3/8" spacer blocks
- Extension brackets
- Non-standard cord length
- Non-standard wand length
- Multiple blinds on one headrail
- Cut-outs

HOW TO PRICE

- **Important Note!** All base prices are predicated on Ordered Dimensions, not Finished Dimensions.
- Multiple blinds on 1 headrail – price each blind individually and add together for total price.
- Base prices for 2" Macro blinds are shown on price chart M2.
- Lift & Lock™ cordless surcharge added to each blind ordered when selected as an option.

MEASURING

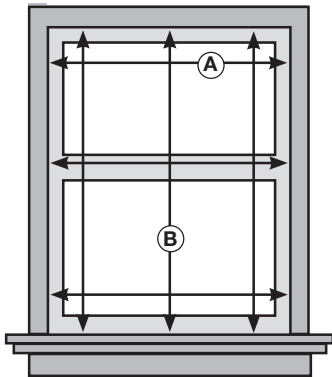
Accurate measurements are essential, for both correct pricing and proper fit. Use only a hard-edged ruler or steel tape, never a cloth tape. For inside mounts, width measurements should be rounded **down** to the nearest 1/8" to prevent blind from binding against the window casing.

INSIDE MOUNTING (IB)

For **WIDTH (A)**, measure across the window casing from one inside edge to the other in three places, top, middle, and bottom. Record the **smallest** width rounded **down** to the nearest 1/8".

For **LENGTH (B)**, measure the inside area from the top inside edge down to the top of the sill in three places, left, middle and right. Record the **longest** length rounded **up** to the nearest 1/8".

The factory will make all the necessary deductions for inside mount.



INSIDE BRACKET MOUNTING REQUIREMENTS

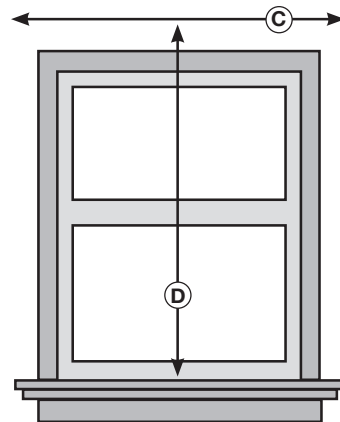
Deluxe Pg 7
 Traditional Pg 9
 Basic Pg 11
 Value Pg 13
 Macro Pg 15

OUTSIDE MOUNTING (OB)

For **WIDTH (C)**, measure from one edge of the casing to the other, then add a minimum of 4" (2" each side), for blind overlap. Record the measurement rounded **up** to the nearest 1/8".

For **LENGTH (D)**, measure from the top of the window sill up to the desired top of the blind. Again, record the measurements rounded **up** to the nearest 1/8".

Outside mounted blinds are fabricated to order dimensions.



OUTSIDE BRACKET MOUNTING REQUIREMENTS

Deluxe Pg 7
 Traditional Pg 9
 Basic Pg 11
 Value Pg 13
 Macro Pg 15

ORDERING GUIDELINES

When ordering aluminum horizontal blinds, make sure to provide all the necessary information on your order including:

Desired Blind Style Name plus:
 Privacy, Standard Rout Holes, Slat Size, etc.

Correct Size:
 Width x Length

Color Name and Color Number

Cut-outs

Multiple Blinds on one Headrail

Deluxe Groover Type Valance

Base Price (determined by price chart)

Type of Mounting the blind requires:

Inside (IB)

Outside (OB)

Control Position (Left or Right)

Extension Brackets or Spacer Blocks for desired window/wall clearance

Specifications for:

Cut-Outs (include diagram)

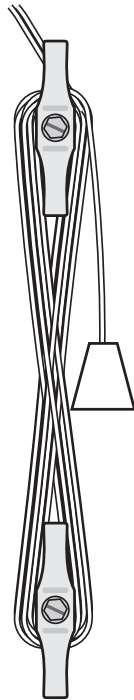
Multiple Blinds on One Headrail (width and position of each blind)

CHILD SAFETY, CARE & WARRANTY

CHILD SAFETY

Our Aluminum Premier Collection is designed with child safety as a priority. To reduce the risk of strangulation our fabrication methods incorporate features to comply with the current ANSI cord safety standard. Fabrication methods include cord stops, Cord-Shield cording, and tension devices.

To further reduce the risk of accidents, all cords should be kept out of the reach of children. Cord cleats can help implement this essential precaution and are therefore included with all standard cord lock/pull cord Aluminum Premier Collection products. The cord cleat should be mounted at a safe height, taking into account furniture or other objects upon which a child may climb.



After each use of the shade, excess cord should be wrapped around the cleat, out of the reach of children.

For blinds and shades made with a clutch operating system, our tension device is designed, and is to be placed and shipped, so that unless it is properly installed (or altered from the shipped condition with sequential process or tools), it prevents the shade from operating. The tension device, once installed, can help prevent children from pulling cords around their necks.



The Lift & Lock™ operating system available for the Aluminum Premier Collection is Best For Kids™ certified.

CARE & CLEANING

ROUTINE CLEANING

Aluminum Premier Blinds are easy to care for. Occasional dusting with a feather duster or low suction vacuuming with a brush attachment is all that is needed to keep the blind looking new. They may also be gently cleaned with a soft cloth using an over-the-counter blind cleaner.

MORE THOROUGH CLEANING

Aluminum Premier Blinds may be taken down and dipped in the bathtub using a mild detergent.

PROFESSIONAL CLEANING

Aluminum Premier Blinds may be ultrasonically cleaned for superior results.

LIMITED LIFETIME WARRANTY

ALUMINUM PREMIER BLINDS carry a limited lifetime warranty that covers the blinds for as long as the original retail purchaser owns them, provided that the blinds were properly installed. It's your customer's assurance of satisfaction and quality.



ORDER FORM

Date:	Charge to customer:	Ship to:
PO #:	Name:	Contact Phone:
Sidemark:	Address:	Address:
Order #:	City/State/Zip:	City/State/Zip:
Customer PO#:		
Page of :		

Special Notes:

QTY.	Blind Type			Color	Mounting Style		Dimensions		Lift & Lock™	Control Position			Hold Downs	Spacer Blocks	Extension Brackets	Cut Out	Valance Clips	Channel Valance	2 on 1	3 on 1	Privacy	
	Basic	Deluxe	Macro		Traditional	Value	Name	Number		Outside Mount (OB)	Inside/Ceiling Mount (IB)	Width										Height
1																						
2																						
3																						
4																						
5																						
6																						
7																						
8																						
9																						
10																						

atl.orders@turnils.com

